

Features

- 2-channel
- 24 V DC supply (bus powered)
- Field circuit protected by fuse

Function

The device supports the pass-through of non-intrinsically safe signals from and to the control. The device uses the terminal block on the front side.

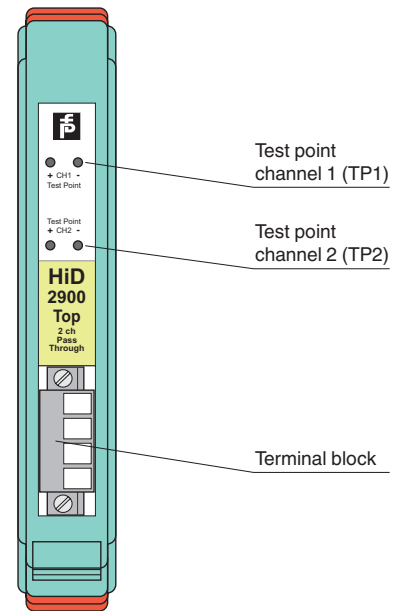
Each channel can be configured via DIP switches for the pass-through of the input signal or the output signal. At the same time, the field device can be supplied via the power supply of the termination board.

The device has an internal resistor. Use this resistance, if you want to convert a 0 mA ... 20 mA signal to a 0 V ... 5 V signal. Choose this function via DIP switches.

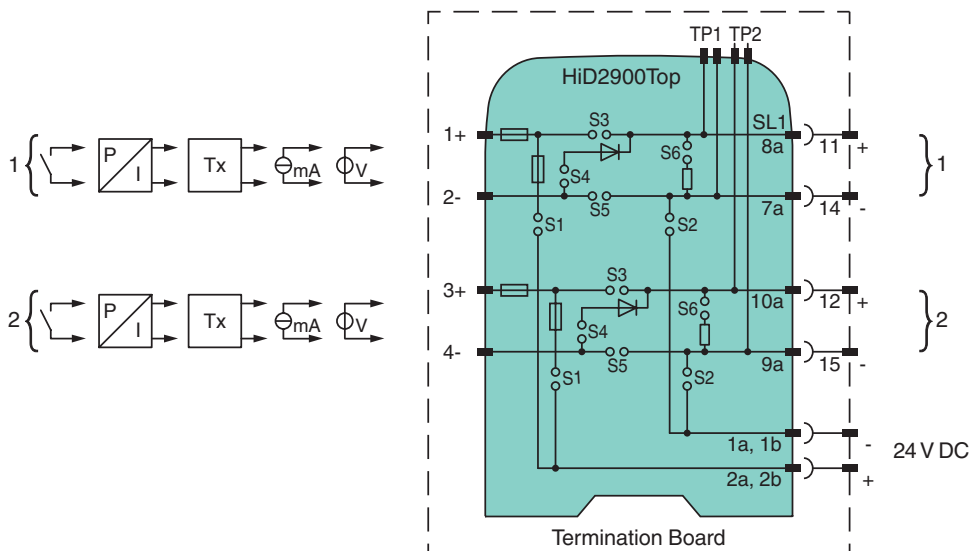
This device mounts on a HiD Termination Board.

Assembly

Front view



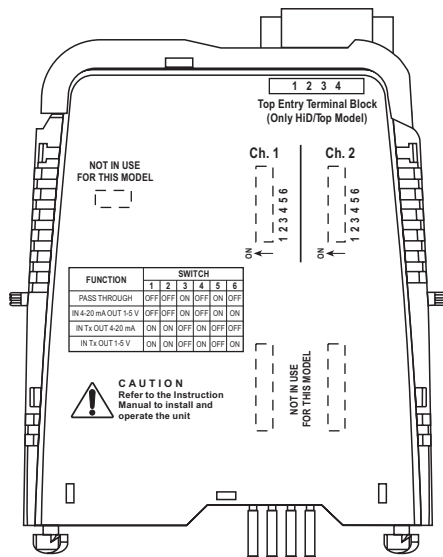
Connection



Release date 2016-11-07 17:07 Date of issue 2016-11-07 273161_eng.xml

| | |
|----------------------------------|--|
| General specifications | |
| Signal type | Universal |
| Supply | |
| Connection | SL1: 1a(-), 1b(-); 2a(+), 2b(+) |
| Rated voltage U_r | 20.4 ... 30 V via Termination Board |
| Power dissipation | 0.2 W |
| Current | ≤ 75 mA (per channel) |
| Control circuit | |
| Connection | SL1: 8a(+), 7a(-); 10a(+), 9a(-) |
| Signal | 0 ... 20 mA 0 ... 5 V |
| Internal resistor R_i | 250 Ω via DIP switch and programmable |
| Field circuit | |
| Connection | terminals 1, 2, 3, 4 |
| Signal | 0 ... 20 mA |
| Directive conformity | |
| Electromagnetic compatibility | |
| Directive 2014/30/EU | EN 61326-1:2013 (industrial locations) |
| Conformity | |
| Electromagnetic compatibility | For further information see system description. |
| Degree of protection | IEC 60529:2001 |
| Ambient conditions | |
| Ambient temperature | 0 ... 60 °C (32 ... 140 °F) |
| Relative humidity | 5 ... 90 %, non-condensing up to 35 °C (95 °F) |
| Mechanical specifications | |
| Degree of protection | IP20 |
| Mass | approx. 140 g |
| Dimensions | 18 x 106 x 135 mm (0.7 x 4.2 x 5.3 inch) |
| Mounting | on Termination Board |
| General information | |
| Supplementary information | Statement of Conformity, Declaration of Conformity, Attestation of Conformity and instructions have to be observed where applicable. For information see |

Configuration



Switch position

| Function channel 1/channel 2 | Switch | | | | | |
|--|--------|-----|-----|-----|-----|-----|
| | S1 | S2 | S3 | S4 | S5 | S6 |
| Pass-through | OFF | OFF | ON | OFF | ON | OFF |
| Input 4 mA ... 20 mA, output 1 V ... 5 V | OFF | OFF | ON | OFF | ON | ON |
| Power supply, output 4 mA ... 20 mA | ON | ON | OFF | ON | OFF | OFF |
| Power supply, output 1 V ... 5 V | ON | ON | OFF | ON | OFF | ON |

Factory settings: pass-through

Configure the device in the following way:

- Push the red Quick Lok Bars on each side of the device in the upper position.
- Remove the device from Termination Board.
- Set the DIP switches according to the figure.



The pins for this device are trimmed to polarize it according to its safety parameter. Do not change! For further information see system description.